

IMF/x/S



**Standard Fuse Module with Single Fuse per Channel**

- Suitable for fuse range from 0.1 A to 6.3 A
- Replaceable fuses with simple to operate vertical fuse holders.
- Fast Blow and Slow Blow fuses available as standard.
- Ease of connection with the use of standard screw connection Terminal blocks.
- Mounting option available: DIN Rail mounting & Panel mounting.
- housed in V0 fire retardant grade PVC mounting track.
- LED warning possible for fuse blow indication.

**GENERAL SPECIFICATION**

Ambient Operating Temperature	-20 to 50 °C
Housing Colour	Green
Housing Material	PVC / V0 Grade
Mounting Possibility	DIN32 / DIN35 / DIN35-15 / PANEL
Signal on Indication	RED LED

**FUSE SPECIFICATIONS**

Fuse Rating	0.1, 0.5, 0.63, 1, 2, 3, 4, 5, 6, 6.3 A
Fuse Size	5x20 mm
Fuse Type	Fast Blow, Slow Blow

**CONNECTION SPECIFICATIONS**

Type of Connection	Screw Connection
Min. Wire Size	0.5 mm <sup>2</sup>
Max. Wire Size	2.5 mm <sup>2</sup>
Min. Wire Size(AWG)	30 AWG
Max. Wire Size(AWG)	14 AWG
Wire Stripping Length	8.3 mm
Torque	0.5 Nm
Torque	4.5 lb-in

**FUSE HOLDER SPECIFICATIONS**

Cap Design	Flat / Screw in with Coin slot
Contact Material	Brass Tin Plated
Contact Resistance	10 m ohms max.
Fuse Size	5x20 mm
Insulation Material	Polymide G.F
Mounting type	PCB-type Horizontal/Vertical
Rated Current	6.3 A
Terminal Type	Solder-type

**ORDERING INFORMATION**

CAT. NO.	DESCRIPTION	NO. OF CHN.	DIM. DET.	STD. PACK
IMF/2/S	2 Channel Standard Fuse Module with Single Fuse per Channel	1	26 X 120 X 74	1
IMF/4/S	4 Channel Standard Fuse Module with Single Fuse per Channel	2	52 X 120 X 74	1
IMF/8/S	8 Channel Standard Fuse Module with Single Fuse per Channel	4	102 X 120 X 74	1
IMF/16/S	16 Channel Standard Fuse Module with Single Fuse per Channel	8	190 X 120 X 74	1

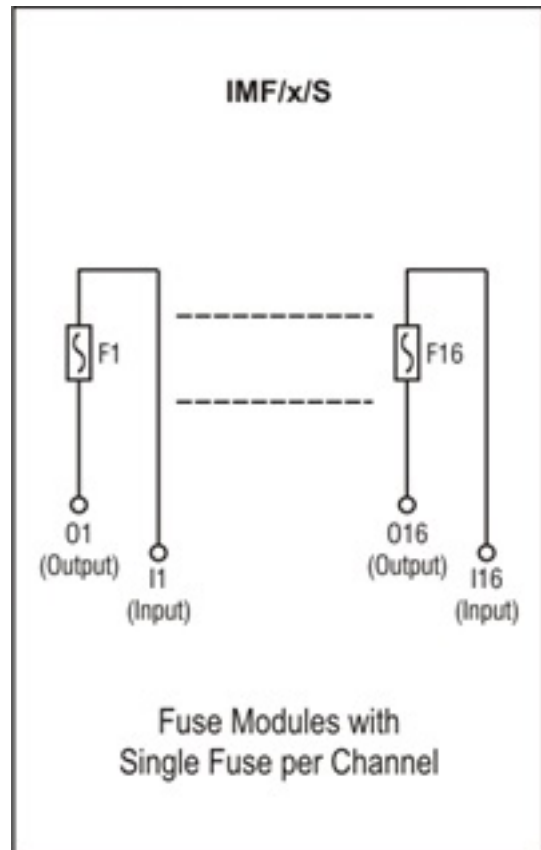
**ACCESSORIES**

IMAGES	CAT. NO.	DESCRIPTION	STD. PACK
	CA501-1M	Din 32 Rail unslotted 1 meter	50
	CA501-1M-S	Din 32 Rail slotted 1 meter	50
	CA501-2M	Din 32 Rail unslotted 2 meter	50
	CA501-2M-S	Din 32 Rail slotted 2 meter	50
	CA701-1M	Din 35 Rail unslotted 1 meter	50
	CA701-2M	Din 35 Rail unslotted 2 meter	50
	CA701-2M-S	Din 35 Rail slotted 2 meter	50
	CA701-1M-S	Din 35 Rail slotted 1 meter	50

**ACCESSORIES....**

IMAGES	CAT. NO.	DESCRIPTION	STD. PACK
	CA701-15-1M	Din 35 Rail 15 deep unslotted 1 meter	50
	CA701-15-1M-S	Din 35 Rail 15 deep slotted 1 meter	50
	CA701-15-2M	Din 35 Rail 15 deep unslotted 2 meter	50
	CA701-15-2M-S	Din 35 Rail 15 deep slotted 2 meter	50
	CA509/K2	Marking Tag Blank suitable for CDL4U / CDL4U(I.S) / CTL2.5U / CTL2.5UH / CTL2.5UL / CTL2.5HUL / CTL2.5U(I.S) / CTL2.5U(I.S)D2 / CGMT4 / CSFL4U / CSFL4U(L) / CMT4 / CMB4 / ASF4 / ASF4(L) / CTS2.5()	100
	SCS0.5/3	Electricians Screwdriver for slotted screws	10

**CIRCUIT DIAGRAM**



**NOTES**

- \* fuse available on request
- \*\* Module Lengths mentioned are for RAIL Mounting option only. The lengths may vary for PANEL Mounting
- \*\* PANEL Mounting modules are available on request. Please use the suffix -P with the cat. no. for ordering.

IMFI/xx/S/xx



**Fuse Fail Indication Module with Single Fuse per Channel**

- Suitable for fuse range from 0.1 A to 6.3 A
- Replaceable fuses with simple to operate vertical fuse holders.
- Fast Blow and Slow Blow fuses available as standard.
- Ease of connection with the use of standard screw connection Terminal blocks.
- Mounting option available: DIN Rail mounting & Panel mounting.
- housed in V0 fire retardant grade PVC mounting track.
- LED warning possible for fuse blow indication.

**GENERAL SPECIFICATION**

Ambient Operating Temperature	-20 to 50 °C
Housing Colour	Green
Housing Material	PVC / V0 Grade
Mounting Possibility	DIN32 / DIN35 / DIN35-15 / PANEL

**FUSE SPECIFICATIONS**

Fuse Rating	0.1, 0.5, 0.63, 1, 2, 3, 4, 5, 6, 6.3 A
Fuse Size	5 x 20 mm
Fuse Type	Fast Blow, Slow Blow

**CONNECTION SPECIFICATIONS**

Type of Connection	Screw Connection
Min. Wire Size	0.5 mm <sup>2</sup>
Max. Wire Size	2.5 mm <sup>2</sup>
Min. Wire Size(AWG)	30 AWG
Max. Wire Size(AWG)	14 AWG
Wire Stripping Length	8.3 mm
Torque	0.5 Nm
Torque	4.5 lb-in

**RELAY INPUT / COIL SPECIFICATIONS**

Nominal Operating Voltage	24V ,110V, 230V (AC/DC)
---------------------------	-------------------------

**FUSE HOLDER SPECIFICATIONS**

Cap Design	Flat / Screw in with Coin slot
Contact Material	Brass Tin Plated
Contact Resistance	10 m ohms max.
Fuse Size	5x20 mm
Insulation Material	Polymide G.F
Mounting type	PCB-type Horizontal/Vertical
Rated Current	6.3 A
Terminal Type	Solder-type

**ORDERING INFORMATION**

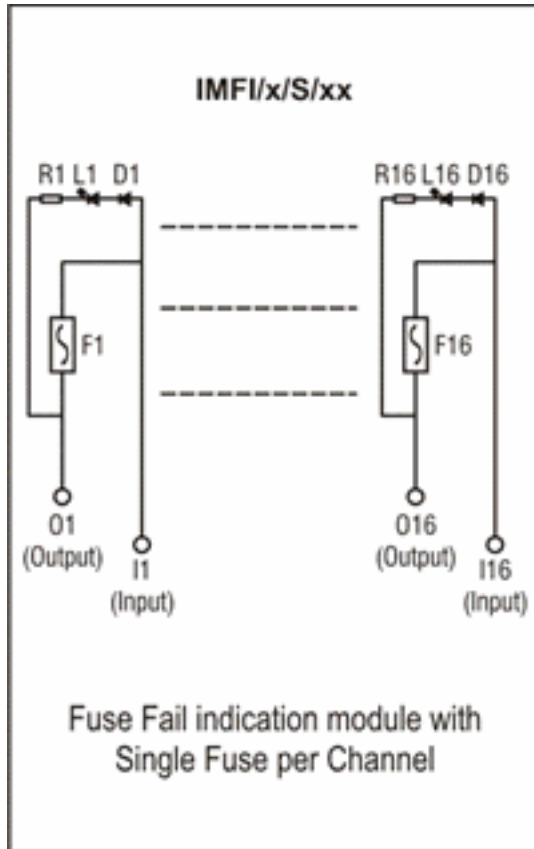
CAT. NO.	DESCRIPTION	NO. OF CHN.	DIM. DET.	STD. PACK
IMFI/2/S/24	2 Channel 24 VAC/VDC fuse Fail Indication Module with Single Fuse Per Channel Rail Mount	4	102 X 120 X 74	1
IMFI/4/S/24	4 Channel 24 VAC/VDC fuse Fail Indication Module with Single Fuse Per Channel Rail Mount	8	190 X 120 X 74	1
IMFI/8/S/24	8 Channel 24 VAC/VDC fuse Fail Indication Module with Single Fuse Per Channel Rail Mount	16	312 X 120 X 74	1
IMFI/16/S/24	16 Channel 24 VAC/VDC fuse Fail Indication Module with Single Fuse Per Channel Rail Mount	8	130 X 120 X 74	1
IMFI/2/S/110	2 Channel 110 VAC/VDC fuse Fail Indication Module with Single Fuse Per Channel Rail Mount	16	219 X 120 X 74	1
IMFI/4/S/110	4 Channel 110 VAC/VDC fuse Fail Indication Module with Single Fuse Per Channel Rail Mount	1	23 X 120 X 74	1
IMFI/8/S/110	8 Channel 110 VAC/VDC fuse Fail Indication Module with Single Fuse Per Channel Rail Mount	1	39 X 120 X 74	1
IMFI/16/S/110	16 Channel 110 VAC/VDC fuse Fail Indication Module with Single Fuse Per Channel Rail Mount	4	69 X 120 X 74	1
IMFI/2/S/230	2 Channel 230 VAC/VDC fuse Fail Indication Module with Single Fuse Per Channel Rail Mount	8	130 X 120 X 74	1

**ORDERING INFORMATION....**

CAT. NO.	DESCRIPTION	NO. OF CHN.	DIM. DET.	STD. PACK
IMFI/4/S/230	4 Channel 230 VAC/VDC fuse Fail Indication Module with Single Fuse Per Channel Rail Mount	16	219 X 120 X 74	1
IMFI/8/S/230	8 Channel 230 VAC/VDC fuse Fail Indication Module with Single Fuse Per Channel Rail Mount	1	23 X 120 X 74	1
IMFI/16/S/230	16 Channel 230 VAC/VDC fuse Fail Indication Module with Single Fuse Per Channel Rail Mount	2	39 X 120 X 74	1

**ACCESSORIES**

IMAGES	CAT. NO.	DESCRIPTION	STD. PACK
	CA501-1M	Din 32 Rail unslotted 1 meter	50
	CA501-1M-S	Din 32 Rail slotted 1 meter	50
	CA501-2M	Din 32 Rail unslotted 2 meter	50
	CA501-2M-S	Din 32 Rail slotted 2 meter	50
	CA701-1M	Din 35 Rail unslotted 1 meter	50
	CA701-2M	Din 35 Rail unslotted 2 meter	50
	CA701-2M-S	Din 35 Rail slotted 2 meter	50
	CA701-1M-S	Din 35 Rail slotted 1 meter	50
	CA701-15-1M	Din 35 Rail 15 deep unslotted 1 meter	50
	CA701-15-1M-S	Din 35 Rail 15 deep slotted 1 meter	50
	CA701-15-2M	Din 35 Rail 15 deep unslotted 2 meter	50
	CA701-15-2M-S	Din 35 Rail 15 deep slotted 2 meter	50
	CA509/K2	Marking Tag Blank suitable for CDL4U / CDL4U(I.S) / CTL2.5U / CTL2.5UH / CTL2.5UL / CTL2.5HUL / CTL2.5U(I.S) / CTL2.5U(I.S)D2 / CGMT4 / CSFL4U / CSFL4U(L) / CMT4 / CMB4 / ASF4 / ASF4(L) / CTS2.5	100
	SCS0.5/3	Electricians Screwdriver for slotted screws	10



## NOTES

- \* Fuse of Different Ratings are available on request
- \*\* Module Lengths mentioned are for RAIL Mounting option only. The lengths may vary for PANEL Mounting
- \*\* PANEL Mounting relay modules are available on request. Please use the suffix -P with the cat. no. for ordering.

IMV/xx/S/50



**50V Varistor Module with Single Varistor per Channel**

- Ease of connection with the use of standard screw connection Terminal Blocks.
- Available with individual and common anode standard configurations.
- Available with various varistor voltage ratings.
- Housed in V0 fire retardant grade PVC mounting track.

**GENERAL SPECIFICATION**

Ambient Operating Temperature	-20to+50 °C
Housing Colour	Green
Housing Material	PVC / V0 Grade
Mounting Possibility	DIN32 / DIN35 / DIN35-15 / PANEL

**MOV SPECIFICATIONS .....**

Surge Current (8/20 micro sec.)	4500 A
Varistor Type	14mm Diameter

**NOTES**

\* Module Lengths mentioned are for RAIL Mounting option only. The lengths may vary for PANEL Mounting. \*\* PANEL mounting modules are available on request. Please use the suffix -P with the above cat. no. for ordering. \*\*\* Varistor voltages are indicative of the range available. All other varistor voltages for 14 mm & 20 mm varistors are available on request.

**CONNECTION SPECIFICATIONS**

Type of Connection	Screw Connection
Min. Wire Size	0.5 mm <sup>2</sup>
Max. Wire Size	2.5 mm <sup>2</sup>
Min. Wire Size(AWG)	30 AWG
Max. Wire Size(AWG)	14 AWG
Wire Stripping Length	8.3 mm
Torque	0.5 Nm
Torque	4.5 lb-in

**RELAY INPUT / COIL SPECIFICATIONS**

Nominal Operating Voltage	50 AC/ 65 DC
---------------------------	--------------

**ORDERING INFORMATION**

CAT. NO.	DESCRIPTION	NO. OF CHN.	DIM. DET.	STD. PACK
IMV/3/S/50	3 Channel 50V varistor Module With Single Varistor per Channel Rail mount	1	31 X 88 X 65	3
IMV/8/S/50	8 Channel 50V varistor Module With Single Varistor per Channel Rail mount	1	53 X 88 X 65	8

**ACCESSORIES**

IMAGES	CAT. NO.	DESCRIPTION	STD. PACK
	CA501-1M	Din 32 Rail unslotted 1 meter	50
	CA501-1M-S	Din 32 Rail slotted 1 meter	50
	CA501-2M	Din 32 Rail unslotted 2 meter	50
	CA501-2M-S	Din 32 Rail slotted 2 meter	50
	CA701-1M	Din 35 Rail unslotted 1 meter	50
	CA701-2M	Din 35 Rail unslotted 2 meter	50
	CA701-2M-S	Din 35 Rail slotted 2 meter	50
	CA701-1M-S	Din 35 Rail slotted 1 meter	50
	CA701-15-1M	Din 35 Rail 15 deep unslotted 1 meter	50
	CA701-15-1M-S	Din 35 Rail 15 deep slotted 1 meter	50
	CA701-15-2M	Din 35 Rail 15 deep unslotted 2 meter	50
	CA701-15-2M-S	Din 35 Rail 15 deep slotted 2 meter	50
	CA509/K2	Marking Tag Blank suitable for CDL4U / CDL4U(I,S) / CTL2.5U / CTL2.5UH / CTL2.5UL / CTL2.5HUL / CTL2.5U(I,S) / CTL2.5U(I,S)D2 / CGMT4 / CSFL4U / CSFL4U(L) / CMT4 / CMB4 / ASF4 / ASF4(L) / CTS2.5(	100
	SCS0.5/3	Electricians Screwdriver for slotted screws	10

**MOV SPECIFICATIONS**

Clamping Voltage	135 V
Maximum Allowable Voltage (AC)	50 VAC
Maximum Allowable Voltage (DC)	65 VDC
Maximum Energy (2 micro sec.)	15 joule
Maximum Power Rating	0.6 W
Operating Voltage Range	59 to 71 V
Response Time	<25 secs

IMV/xx/S/130



**130V Varistor Module with Single Varistor per Channel**

- Ease of connection with the use of standard screw connection Terminal Blocks.
- Available with individual and common anode standard configurations.
- Available with various varistor voltage ratings.
- Housed in V0 fire retardant grade PVC mounting track.

**GENERAL SPECIFICATION**

Ambient Operating Temperature	-20to+50 °C
Housing Colour	Green
Housing Material	PVC / V0 Grade
Mounting Possibility	DIN32 / DIN35 / DIN35-15 / PANEL

**MOV SPECIFICATIONS ....**

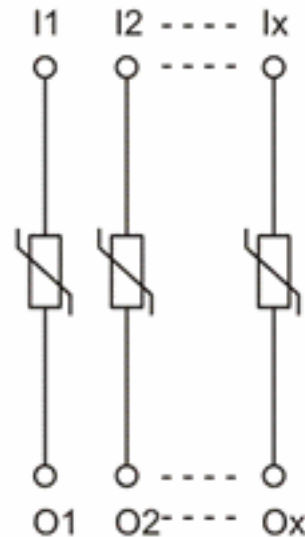
Surge Current (8/20 micro sec.)	4500 A
Varistor Type	14mm Diameter

**CONNECTION SPECIFICATIONS**

Type of Connection	Screw Connection
Min. Wire Size	0.5 mm <sup>2</sup>
Max. Wire Size	2.5 mm <sup>2</sup>
Min. Wire Size(AWG)	30 AWG
Max. Wire Size(AWG)	14 AWG
Wire Stripping Length	8.3 mm
Torque	0.5 Nm
Torque	4.5 lb-in

**CIRCUIT DIAGRAM**

**IMV/x/S/xx**  
**Single Varistor Configuration**



**RELAY INPUT / COIL SPECIFICATIONS**

Nominal Operating Voltage	130 AC/ 170 DC
---------------------------	----------------

**ORDERING INFORMATION**

CAT. NO.	DESCRIPTION	NO. OF CHN.	DIM. DET.	STD. PACK
IMV/3/S/130	3 Channel 130V Varistor Module with Single Varistor per channel Rail Mount	1	31 X 88 X 65	3
IMV/8/S/130	8 Channel 130V Varistor Module with Single Varistor per channel Rail Mount	1	53 X 88 X 65	8

**ACCESSORIES**

IMAGES	CAT. NO.	DESCRIPTION	STD. PACK
	CA501-1M	Din 32 Rail unslotted 1 meter	50
	CA501-1M-S	Din 32 Rail slotted 1 meter	50
	CA501-2M	Din 32 Rail unslotted 2 meter	50
	CA501-2M-S	Din 32 Rail slotted 2 meter	50
	CA701-1M	Din 35 Rail unslotted 1 meter	50
	CA701-2M	Din 35 Rail unslotted 2 meter	50
	CA701-2M-S	Din 35 Rail slotted 2 meter	50
	CA701-1M-S	Din 35 Rail slotted 1 meter	50
	CA701-15-1M	Din 35 Rail 15 deep unslotted 1 meter	50
	CA701-15-1M-S	Din 35 Rail 15 deep slotted 1 meter	50
	CA701-15-2M	Din 35 Rail 15 deep unslotted 2 meter	50
	CA701-15-2M-S	Din 35 Rail 15 deep slotted 2 meter	50
	CA509/K2	Marking Tag Blank suitable for CDL4U / CDL4U(I,S) / CTL2.5U / CTL2.5UH / CTL2.5UL / CTL2.5HUL / CTL2.5U(I,S) / CTL2.5U(I,S)D2 / CGMT4 / CSFL4U / CSFL4U(L) / CMT4 / CMB4 / ASF4 / ASF4(L) / CTS2.5(	100
	SCS0.5/3	Electricians Screwdriver for slotted screws	10

**NOTES**

\* Module Lengths mentioned are for RAIL Mounting option only. The lengths may vary for PANEL Mounting. \*\* PANEL mounting modules are available on request. Please use the suffix -P with the above cat. no. for ordering. \*\*\* Varistor voltages are indicative of the range available. All other varistor voltages for 14 mm & 20 mm varistors are available on request.

**MOV SPECIFICATIONS**

Clamping Voltage	340 V
Maximum Allowable Voltage (AC)	130 VAC
Maximum Allowable Voltage (DC)	170 VDC
Maximum Energy (2 micro sec.)	34 joule
Maximum Power Rating	0.6 W
Operating Voltage Range	153 to 187 V
Response Time	<25 secs

IMV/xx/S/275



**275V Varistor Module with Single Varistor per Channel**

- Ease of connection with the use of standard screw connection Terminal Blocks.
- Available with individual and common anode standard configurations.
- Available with various varistor voltage ratings.
- Housed in V0 fire retardant grade PVC mounting track.

**GENERAL SPECIFICATION**

Ambient Operating Temperature	-20to+50 °C
Housing Colour	Green
Housing Material	PVC / V0 Grade
Mounting Possibility	DIN32 / DIN35 / DIN35-15 / PANEL

**MOV SPECIFICATIONS ....**

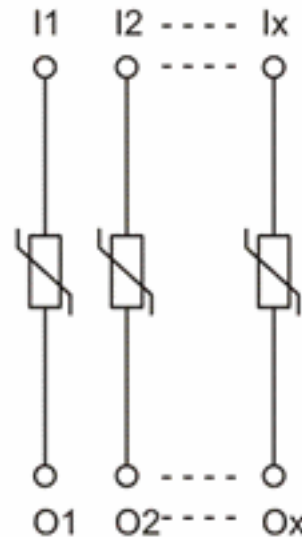
Surge Current (8/20 micro sec.)	4500 A
Varistor Type	14mm Diameter

**CONNECTION SPECIFICATIONS**

Type of Connection	Screw Connection
Min. Wire Size	0.5 mm <sup>2</sup>
Max. Wire Size	2.5 mm <sup>2</sup>
Min. Wire Size(AWG)	30 AWG
Max. Wire Size(AWG)	14 AWG
Wire Stripping Length	8.3 mm
Torque	0.5 Nm
Torque	4.5 Nm

**CIRCUIT DIAGRAM**

**IMV/x/S/xx**  
**Single Varistor Configuration**



**RELAY INPUT / COIL SPECIFICATIONS**

Nominal Operating Voltage	275 AC/ 350 DC
---------------------------	----------------

**ORDERING INFORMATION**

CAT. NO.	DESCRIPTION	NO. OF CHN.	DIM. DET.	STD. PACK
IMV/3/S/275	3 Channel 275V varistor Module With Single Varistor per Channel Rail mount	1	31 X 88 X 65	3
IMV/8/S/275	8 Channel 275V varistor Module With Single Varistor per Channel Rail mount	1	53 X 88 X 65	8

**ACCESSORIES**

IMAGES	CAT. NO.	DESCRIPTION	STD. PACK
	CA501-1M	Din 32 Rail unslotted 1 meter	50
	CA501-1M-S	Din 32 Rail slotted 1 meter	50
	CA501-2M	Din 32 Rail unslotted 2 meter	50
	CA501-2M-S	Din 32 Rail slotted 2 meter	50
	CA701-1M	Din 35 Rail unslotted 1 meter	50
	CA701-2M	Din 35 Rail unslotted 2 meter	50
	CA701-2M-S	Din 35 Rail slotted 2 meter	50
	CA701-1M-S	Din 35 Rail slotted 1 meter	50
	CA701-15-1M	Din 35 Rail 15 deep unslotted 1 meter	50
	CA701-15-1M-S	Din 35 Rail 15 deep slotted 1 meter	50
	CA701-15-2M	Din 35 Rail 15 deep unslotted 2 meter	50
	CA701-15-2M-S	Din 35 Rail 15 deep slotted 2 meter	50
	CA509/K2	Marking Tag Blank suitable for CDL4U / CDL4U(I,S) / CTL2.5U / CTL2.5UH / CTL2.5UL / CTL2.5HUL / CTL2.5U(I,S) / CTL2.5U(I,S)D2 / CGMT4 / CSFL4U / CSFL4U(L) / CMT4 / CMB4 / ASF4 / ASF4(L) / CTS2.5(	100
	SCS0.5/3	Electricians Screwdriver for slotted screws	10

**NOTES**

\* Module Lengths mentioned are for RAIL Mounting option only. The lengths may vary for PANEL Mounting. \*\* PANEL mounting modules are available on request. Please use the suffix -P with the above cat. no. for ordering. \*\*\* Varistor voltages are indicative of the range available. All other varistor voltages for 14 mm & 20 mm varistors are available on request.

**MOV SPECIFICATIONS**

Clamping Voltage	710 V
Maximum Allowable Voltage (AC)	275 VAC
Maximum Allowable Voltage (DC)	350 VDC
Maximum Energy (2 micro sec.)	71 joule
Maximum Power Rating	0.6 W
Operating Voltage Range	315 to 385 V
Response Time	<25 secs

IMV/xx/R/50



**50V Varistor Module with Common Anode Configuration**

- Ease of connection with the use of standard screw connection Terminal Blocks.
- Available with individual and common anode standard configurations.
- Available with various varistor voltage ratings.
- Housed in V0 fire retardant grade PVC mounting track.

**GENERAL SPECIFICATION**

Ambient Operating Temperature	-20to+50 °C
Housing Colour	Green
Housing Material	PVC / V0 Grade
Mounting Possibility	DIN32 / DIN35 / DIN35-15 / PANEL

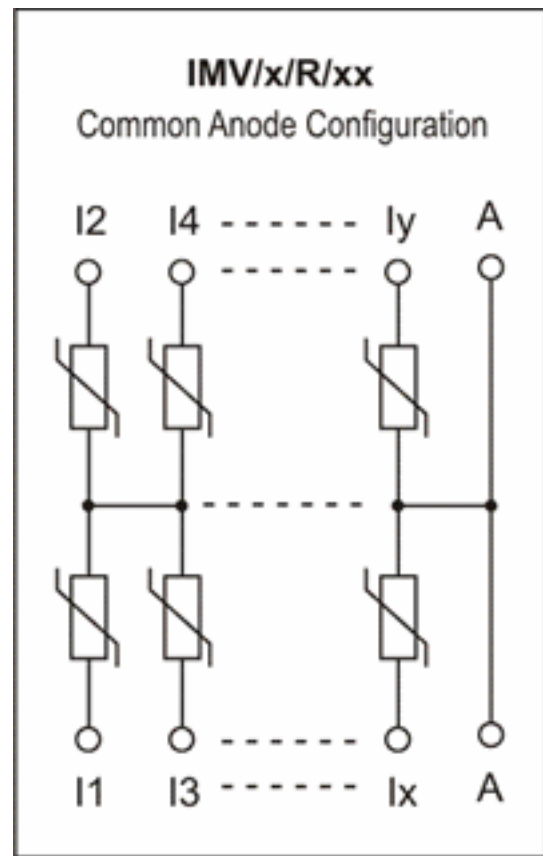
**MOV SPECIFICATIONS ....**

Maximum Power Rating	0.6 W
Operating Voltage Range	59 to 71 V
Response Time	<25 secs
Surge Current (8/20 micro sec.)	4500 A
Varistor Type	14mm Diameter

**CONNECTION SPECIFICATIONS**

Type of Connection	Screw Connection
Min. Wire Size	0.5 mm <sup>2</sup>
Max. Wire Size	2.5 mm <sup>2</sup>
Min. Wire Size(AWG)	30 AWG
Max. Wire Size(AWG)	14 AWG
Wire Stripping Length	8.3 mm
Torque	0.5 Nm
Torque	4.5 lb-in

**CIRCUIT DIAGRAM**



**RELAY INPUT / COIL SPECIFICATIONS**

Nominal Operating Voltage	50 AC/ 65 DC
---------------------------	--------------

**ORDERING INFORMATION**

CAT. NO.	DESCRIPTION	NO. OF CHN.	DIM. DET.	STD. PACK
IMV/9/R/50	9 Channel 50V Varistor Module with Common Anode Configuration Rail mount	1	37 X 88 X 65	9
IMV/14/R/50	14 Channel 50V Varistor Module with Common Anode Configuration Rail mount	1	53 X 88 X 65	14
IMV/5/R/50	5 Channel 50V Varistor Module with Common Anode Configuration Rail mount	1	27 X 88 X 65	5

**ACCESSORIES**

IMAGES	CAT. NO.	DESCRIPTION	STD. PACK
	CA501-1M	Din 32 Rail unslotted 1 meter	50
	CA501-1M-S	Din 32 Rail slotted 1 meter	50
	CA501-2M	Din 32 Rail unslotted 2 meter	50
	CA501-2M-S	Din 32 Rail slotted 2 meter	50
	CA701-1M	Din 35 Rail unslotted 1 meter	50
	CA701-2M	Din 35 Rail unslotted 2 meter	50
	CA701-2M-S	Din 35 Rail slotted 2 meter	50
	CA701-1M-S	Din 35 Rail slotted 1 meter	50
	CA701-15-1M	Din 35 Rail 15 deep unslotted 1 meter	50
	CA701-15-1M-S	Din 35 Rail 15 deep slotted 1 meter	50
	CA701-15-2M	Din 35 Rail 15 deep unslotted 2 meter	50
	CA701-15-2M-S	Din 35 Rail 15 deep slotted 2 meter	50
	CA509/K2	Marking Tag Blank suitable for CDL4U / CDL4U(I.S) / CTL2.5U / CTL2.5UH / CTL2.5UL / CTL2.5HUL / CTL2.5U(I.S) / CTL2.5U(I.S)D2 / CGMT4 / CSFL4U / CSFL4U(L) / CMT4 / CMB4 / ASF4 / ASF4(L) / CTS2.5	100
	SCS0.5/3	Electricians Screwdriver for slotted screws	10

**NOTES**

\* Module Lengths mentioned are for RAIL Mounting option only. The lengths may vary for PANEL Mounting. \*\* PANEL mounting modules are available on request. Please use the suffix -P with the above cat. no. for ordering. \*\*\* Varistor voltages are indicative of the range available. All other varistor voltages for 14 mm & 20 mm varistors are available on request.

**MOV SPECIFICATIONS**

Clamping Voltage	135 V
Maximum Allowable Voltage (AC)	50 VAC
Maximum Allowable Voltage (DC)	65 VDC
Maximum Energy (2 micro sec.)	15 joule

IMV/x/R/130



**130V Varistor Module with Common Anode Configuration**

- Ease of connection with the use of standard screw connection Terminal Blocks.
- Available with individual and common anode standard configurations.
- Available with various varistor voltage ratings.
- Housed in V0 fire retardant grade PVC mounting track.

**GENERAL SPECIFICATION**

Ambient Operating Temperature	-20to+50 °C
Housing Colour	Green
Housing Material	PVC / V0 Grade
Mounting Possibility	DIN32 / DIN35 / DIN35-15 / PANEL

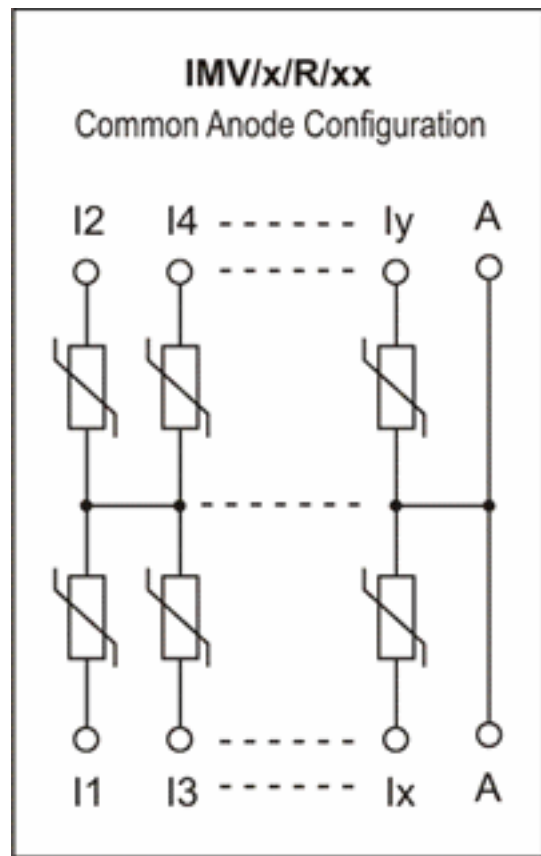
**MOV SPECIFICATIONS ....**

Maximum Power Rating	0.6 W
Operating Voltage Range	153 to 187 V
Response Time	<25 secs
Surge Current (8/20 micro sec.)	4500 A
Varistor Type	14mm Diameter

**CONNECTION SPECIFICATIONS**

Type of Connection	Screw Connection
Min. Wire Size	0.5 mm <sup>2</sup>
Max. Wire Size	2.5 mm <sup>2</sup>
Min. Wire Size(AWG)	30 AWG
Max. Wire Size(AWG)	14 AWG
Wire Stripping Length	8.3 mm
Torque	0.5 Nm
Torque	4.5 lb-in

**CIRCUIT DIAGRAM**



**RELAY INPUT / COIL SPECIFICATIONS**

Nominal Operating Voltage	130 AC/ 170 DC
---------------------------	----------------

**ORDERING INFORMATION**

CAT. NO.	DESCRIPTION	NO. OF CHN.	DIM. DET.	STD. PACK
IMV/5/R/130	5 Channel 130V Varistor Module with Common Anode Configuration Rail mount	1	27 X 88 X 65	5
IMV/9/R/130	9 Channel 130V Varistor Module with Common Anode Configuration Rail mount	1	37 X 88 X 65	9
IMV/14/R/130	14 Channel 130V Varistor Module with Common Anode Configuration Rail mount	1	53 X 88 X 65	14

**ACCESSORIES**

IMAGES	CAT. NO.	DESCRIPTION	STD. PACK
	CA501-1M	Din 32 Rail unslotted 1 meter	50
	CA501-1M-S	Din 32 Rail slotted 1 meter	50
	CA501-2M	Din 32 Rail unslotted 2 meter	50
	CA501-2M-S	Din 32 Rail slotted 2 meter	50
	CA701-1M	Din 35 Rail unslotted 1 meter	50
	CA701-2M	Din 35 Rail unslotted 2 meter	50
	CA701-2M-S	Din 35 Rail slotted 2 meter	50
	CA701-1M-S	Din 35 Rail slotted 1 meter	50
	CA701-15-1M	Din 35 Rail 15 deep unslotted 1 meter	50
	CA701-15-1M-S	Din 35 Rail 15 deep slotted 1 meter	50
	CA701-15-2M	Din 35 Rail 15 deep unslotted 2 meter	50
	CA701-15-2M-S	Din 35 Rail 15 deep slotted 2 meter	50
	CA509/K2	Marking Tag Blank suitable for CDL4U / CDL4U(I.S) / CTL2.5U / CTL2.5UH / CTL2.5UL / CTL2.5HUL / CTL2.5U(I.S) / CTL2.5U(I.S)D2 / CGMT4 / CSFL4U / CSFL4U(L) / CMT4 / CMB4 / ASF4 / ASF4(L) / CTS2.5	100
	SCS0.5/3	Electricians Screwdriver for slotted screws	10

**NOTES**

\* Module Lengths mentioned are for RAIL Mounting option only. The lengths may vary for PANEL Mounting. \*\* PANEL mounting modules are available on request. Please use the suffix -P with the above cat. no. for ordering. \*\*\* Varistor voltages are indicative of the range available. All other varistor voltages for 14 mm & 20 mm varistors are available on request.

**MOV SPECIFICATIONS**

Clamping Voltage	340 V
Maximum Allowable Voltage (AC)	130 VAC
Maximum Allowable Voltage (DC)	170 VDC
Maximum Energy (2 micro sec.)	34 joule



IMV/x/R/275



**275V Varistor Module with Common Anode Configuration**

- Ease of connection with the use of standard screw connection Terminal Blocks.
- Available with individual and common anode standard configurations.
- Available with various varistor voltage ratings.
- Housed in V0 fire retardant grade PVC mounting track.

**GENERAL SPECIFICATION**

Ambient Operating Temperature	-20to+50 °C
Housing Colour	Green
Housing Material	PVC / V0 Grade
Mounting Possibility	DIN32 / DIN35 / DIN35-15 / PANEL

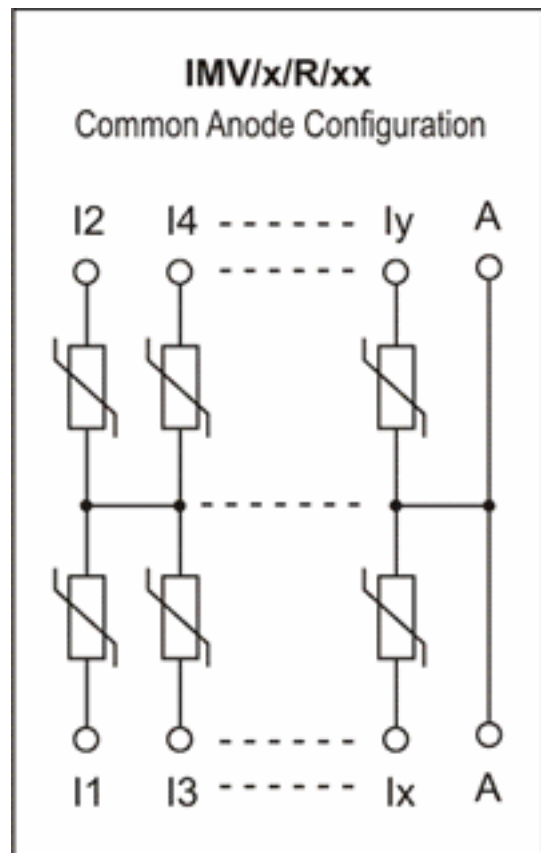
**MOV SPECIFICATIONS ....**

Maximum Power Rating	0.6 W
Operating Voltage Range	315 to 385 V
Response Time	<25 secs
Surge Current (8/20 micro sec.)	4500 A
Varistor Type	14mm Diameter

**CONNECTION SPECIFICATIONS**

Type of Connection	Screw Connection
Min. Wire Size	0.5 mm <sup>2</sup>
Max. Wire Size	2.5 mm <sup>2</sup>
Min. Wire Size(AWG)	30 AWG
Max. Wire Size(AWG)	14 AWG
Screw Size	8.3 mm
Torque	0.5 Nm
Torque	4.5 lb-in

**CIRCUIT DIAGRAM**



**RELAY INPUT / COIL SPECIFICATIONS**

Nominal Operating Voltage	275 AC/ 350 DC
---------------------------	----------------

**ORDERING INFORMATION**

CAT. NO.	DESCRIPTION	NO. OF CHN.	DIM. DET.	STD. PACK
IMV/5/R/275	5 Channel 275V Varistor Module with Common Anode Configuration Rail mount	1	27 X 88 X 65	5
IMV/9/R/275	9 Channel 275V Varistor Module with Common Anode Configuration Rail mount	1	37 X 88 X 65	9
IMV/14/R/275	14 Channel 275V Varistor Module with Common Anode Configuration Rail mount	1	53 X 88 X 65	14

**ACCESSORIES**

IMAGES	CAT. NO.	DESCRIPTION	STD. PACK
	CA501-1M	Din 32 Rail unslotted 1 meter	50
	CA501-1M-S	Din 32 Rail slotted 1 meter	50
	CA501-2M	Din 32 Rail unslotted 2 meter	50
	CA501-2M-S	Din 32 Rail slotted 2 meter	50
	CA701-1M	Din 35 Rail unslotted 1 meter	50
	CA701-2M	Din 35 Rail unslotted 2 meter	50
	CA701-2M-S	Din 35 Rail slotted 2 meter	50
	CA701-1M-S	Din 35 Rail slotted 1 meter	50
	CA701-15-1M	Din 35 Rail 15 deep unslotted 1 meter	50
	CA701-15-1M-S	Din 35 Rail 15 deep slotted 1 meter	50
	CA701-15-2M	Din 35 Rail 15 deep unslotted 2 meter	50
	CA701-15-2M-S	Din 35 Rail 15 deep slotted 2 meter	50
	CA509/K2	Marking Tag Blank suitable for CDL4U / CDL4U(I.S) / CTL2.5U / CTL2.5UH / CTL2.5UL / CTL2.5HUL / CTL2.5U(I.S) / CTL2.5U(I.S)D2 / CGMT4 / CSFL4U / CSFL4U(L) / CMT4 / CMB4 / ASF4 / ASF4(L) / CTS2.5	100
	SCS0.5/3	Electricians Screwdriver for slotted screws	10

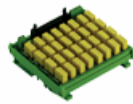
**NOTES**

\* Module Lengths mentioned are for RAIL Mounting option only. The lengths may vary for PANEL Mounting. \*\* PANEL mounting modules are available on request. Please use the suffix -P with the above cat. no. for ordering. \*\*\* Varistor voltages are indicative of the range available. All other varistor voltages for 14 mm & 20 mm varistors are available on request.

**MOV SPECIFICATIONS**

Clamping Voltage	710 V
Maximum Allowable Voltage (AC)	275 VAC
Maximum Allowable Voltage (DC)	350 VDC
Maximum Energy (2 micro sec.)	71 joule

IMRC32/0.22/xx/xx



**Rail Mount 32 Channel Resistor-Capacitor(RC) module**

- 32 Channel resistor-capacitor (RC) circuit built-in.
- Highly compact in size.
- Other capacitor values are also available on request.
- Din rail & Panel mounting option available.

**GENERAL SPECIFICATION**

Ambient Operating Temperature	-20 to 50 °C
Housing Colour	Green
Housing Material	PVC / V0 Grade
Mounting Possibility	DIN32 / DIN35 / DIN35-15 / PANEL


**CONNECTION SPECIFICATIONS**

Type of Connection	Screw Connection
Min. Wire Size	0.5 mm <sup>2</sup>
Max. Wire Size	2.5 mm <sup>2</sup>
Min. Wire Size(AWG)	30 AWG
Max. Wire Size(AWG)	14 AWG
Wire Stripping Length	8.3 mm
Torque	0.5 Nm
Torque	4.5 lb-in

**IDC / FRC CONNECTOR SPECIFICATIONS**

Housing Material	PBT, glass reinforced
Contact Material	Brass
Rated Current / Pin	2 A
Contact Resistance	30m ohms maximum
Insulation Resistance	3000M ohms minimum
Dielectric Withstanding Voltage	500VAC for 1 minute
IDC / FRC Connector Approvals	

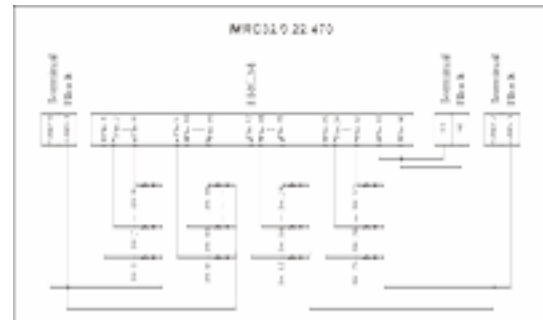
**ACCESSORIES....**

IMAGES	CAT. NO.	DESCRIPTION	STD. PACK
	CA509/K2	Marking Tag Blank suitable for CDL4U / CDL4U(I,S) / CTL2.5U / CTL2.5UH / CTL2.5UL / CTL2.5HUL / CTL2.5U(L,S) / CTL2.5U(I,S)D2 / CGMT4 / CSFL4U / CSFL4U(L) / CMT4 / CMB4 / ASF4 / ASF4(L) / CTS2.5(	100
	SCS0.5/3	Electricians Screwdriver for slotted screws	10

**RC SPECIFICATIONS**

Capacitance Tolerance	+/- 20%
Capacitance Value	0.22 microFarad ,275 V
Capacitor Type	MPX(Class-X2)

**CIRCUIT DIAGRAM**



**ORDERING INFORMATION**

CAT. NO.	DESCRIPTION	NO. OF CHN.	DIM. DET.	STD. PACK
IMRC32/0.22/470	32 Channel (0.22µF 275VAC,470 ½ Watt)Resistor-Capacitor(RC) Module Rail Mount	4	102X 120 X 74	1
IMRC32/0.22/470/2W	32 Channel (0.22µF 275VAC,470 2 Watt)Resistor-Capacitor(RC) Module Rail Mount	8	190X 120 X 74	1
IMRC32/0.22/1k/2W	32 Channel (0.22µF 275VAC,1K 2Watt)Resistor-Capacitor(RC) Module Rail Mount	16	312X 120 X 74	1

**NOTES**

- \* Module Lengths mentioned are for RAIL Mounting option only. The lengths may vary for PANEL Mounting.
- \*\* PANEL mounting modules are available on request. Please use the suffix -P with the above cat. no. for ordering.
- \*\*\* other RC Configuration values available on request.

**ACCESSORIES**

IMAGES	CAT. NO.	DESCRIPTION	STD. PACK
	CA501-1M	Din 32 Rail unslotted 1 meter	50
	CA501-1M-S	Din 32 Rail slotted 1 meter	50
	CA501-2M	Din 32 Rail unslotted 2 meter	50
	CA501-2M-S	Din 32 Rail slotted 2 meter	50
	CA701-1M	Din 35 Rail unslotted 1 meter	50
	CA701-2M	Din 35 Rail unslotted 2 meter	50
	CA701-2M-S	Din 35 Rail slotted 2 meter	50
	CA701-1M-S	Din 35 Rail slotted 1 meter	50
	CA701-15-1M	Din 35 Rail 15 deep unslotted 1 meter	50
	CA701-15-1M-S	Din 35 Rail 15 deep slotted 1 meter	50
	CA701-15-2M	Din 35 Rail 15 deep unslotted 2 meter	50
	CA701-15-2M-S	Din 35 Rail 15 deep slotted 2 meter	50